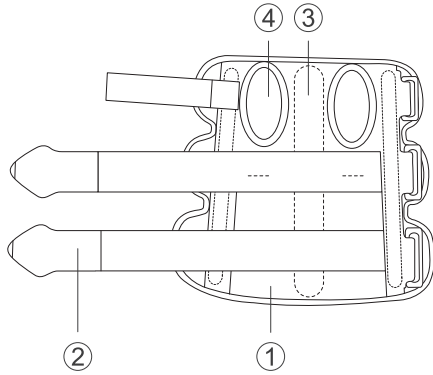


## Wrist / Palm Support



1. Breathable fabric for more comfort.
2. Hook-side fastener for easy adjustment.
3. Shapeable aluminum alloy stays stabilize palm.
4. Suitable for both left & right hands.

## Material Composition

- 67% Nylon
- 13% Polyester
- 8% Aluminum
- 8% PU foam
- 4% PP

## Size chart

Universal	5" ~ 9"	13~23 cm
-----------	---------	----------



KAO CHEN ENTERPRISE CO., LTD.

NO.68, LANE326, SANGANG RD., LONGJING,  
TAICHUNG 43444, TAIWAN  
Tel : 886-4-26308728 Fax : 886-4-26308729  
www.softguards.com  
E-mail : service@softguards.com

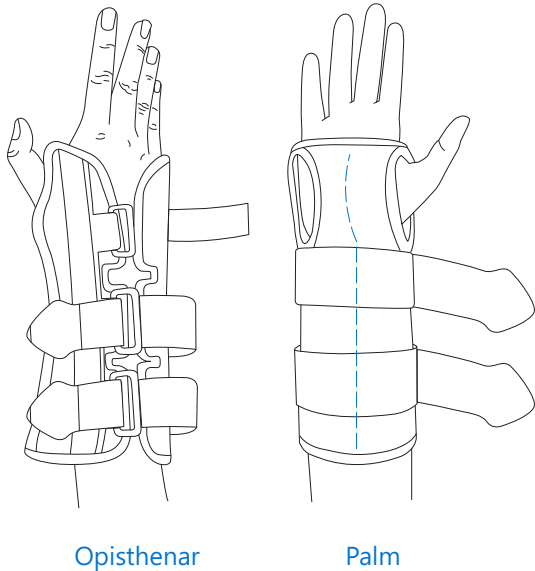


**Soft Guards**  
GUARDS YOUR BODY SOFTLY

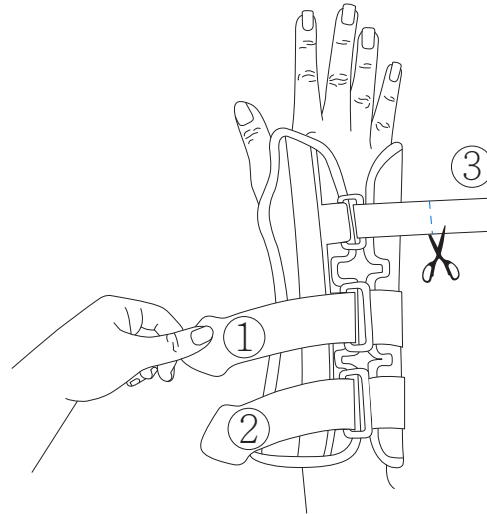
MLE09066

## Instruction

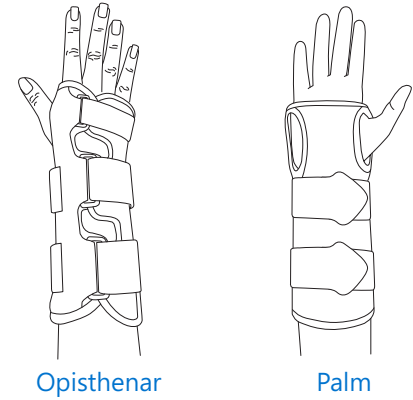
1. Loosen all strap, and slide hand into the brace with the splint positioned along the palm.



2. a. Wrap straps #1 & #2 to proper tightness and then attach hook-side fastener onto the straps.  
b. Adjust #3 strap to suitable tightness and then attach to hook-side fastener.  
c. Double check the overall tightness before cut off the excess part of #3 strap for proper length.



## Product views



## Caution

1. The product should be used under the supervision of a medical professional.
2. Over tightening of strap may compromise blood circulation.
3. If discomfort or pain results and persists, please discontinue wearing and consult with medical professional.
4. Make sure the fasteners are well fastened while wearing the brace. If the fasteners can not be fastened well, please stop using the brace to prevent injuries.
5. If product is in poor condition, please do not use it.

## Washing instructions

1. Separate the aluminum stay from the brace before washing.
2. Hand wash with mild detergent.
3. Rinse thoroughly and air dry.
4. Avoid direct exposure to sunlight.

